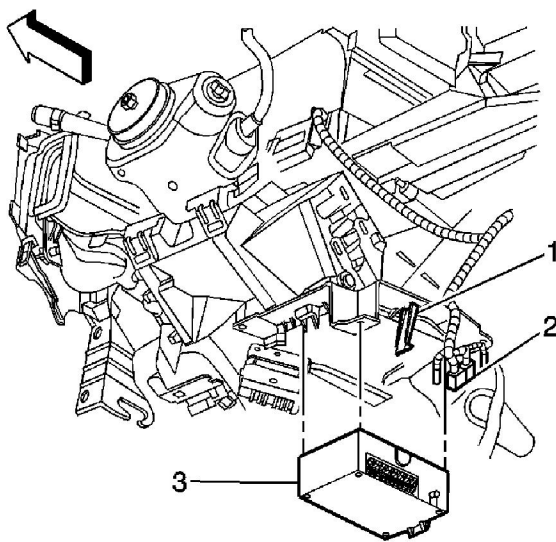


Communication Interface Module Replacement

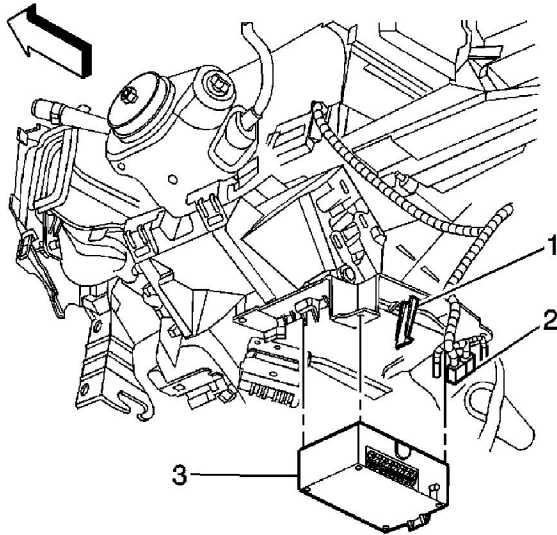
Removal Procedure

Important: The vehicle communication interface module (VCIM) has a specific set of unique numbers that tie the module to each vehicle. These numbers, the 10-digit station identification and the 11-digit electronic serial number, are used by the National Cellular Network and OnStar® to identify the specific vehicle. Because these numbers are tied to the vehicle identification number of the vehicle, you must never exchange these parts with those of another vehicle.



1. Remove the drivers knee bolster. Refer to [Driver Knee Bolster Replacement](#) .
2. Disconnect the electrical connectors and the coaxial cable (2) from the module.
3. Release the communication interface module retaining tab (1).
4. Remove the communication interface module (3) from the module bracket.

Installation Procedure



1. When replacing a VCIM, record the 11-digit electronic serial number (ESN) and the 10-digit station identification (STID) number from the label on the new VCIM.
2. Slide the communication interface module (3) into the bracket.
3. Push in on the module (3) at the retaining tab (2) until an audible click is heard indicating the module is secured to the bracket.
4. Connect the electrical connectors and the coaxial cable (2) to the communication interface module (3).

Important: After replacing the vehicle communication interface module, you must reconfigure the OnStar® system. Failure to reconfigure the system will result in an additional customer visit for repair. In addition, pressing and holding the white dot button on the keypad will NOT reset this version of the OnStar® system. This action will cause a DTC to set.

5. Reconfigure the OnStar® system. Refer to [OnStar Reconfiguration](#) .